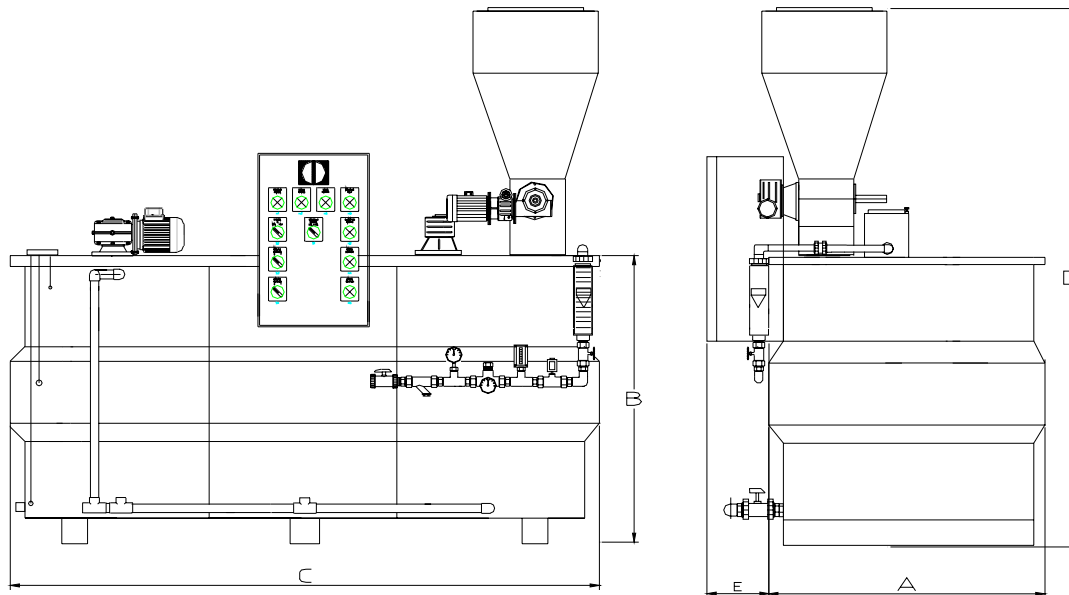


# CARATTERISTICHE CHARACTERISTICS



MOD.	300	500	700	1000	1500	2000	2500	3000	3500	5000
Capacità /Capacity lt	300	500	700	1000	1500	2000	2500	3000	3500	5000
Portata /Flow-rate lt/h	300	500	700	1000	1500	2000	2500	3000	3500	5000
Dosaggio kg/h Meterin range kg/h	0,3-1,5	0,5- 2	0,7- 3,5	1 - 4	1,5 - 6	2 - 8	2,5 - 10	3 - 12	3 - 15	5 - 20
Dosatore /metering kw	0.18	0.18	0.18	0.18	0.22	0.22	0.22	0.22	0.22	0.22
Agitatori mixers kw	0.18	0.18	0.18	0.18	0.25	037	037	037	037	055
Tramoggia Hopper lt	40	50	50	70	80	100	100	100	200	200
Concentrazione o. % Range solution o. %	1-5	1-4	1-4	1-4	1-4	1 — 4	1— 4	1— 4	1— 4	1— 4
A	600	600	700	800	900	1070	1100	1100	1300	1450
B	800	900	900	900	1100	1100	1100	1200	1300	1350
C	1100	1600	1600	1900	2100	2200	2600	3100	3100	3100
D	1350	1450	1450	1650	1850	2100	2100	2350	2500	2750
E	250	250	250	250	250	250	250	250	250	250
Ingresso /Inlet size H <sub>2</sub> O	1/2"	1/2"	1/2"	1/2"	3/4"	1 "	1 "	1 "	1 "	1 1/4 "
Scarichi /Drain size	1 "	1 "	1 "	1 "	1 1/2 "	1 1/2 "	1 1/2 "	1 1/2 "	1 1/2 "	2 "
Peso /Wheight kg	140	170	190	230	280	310	350	400	430	500